



TWISTER

ball bearing swivel

Prevents the rope from twisting when the load is turning.

DESCRIPTION



Durable light alloy body.

Placed between a load and either rope or cable, the twister avoids severe rope twisting while the load turns. Ball bearing allows rotation up to 4 kN load (\approx 400 kg).

KEY FEATURES

■ durable light alloy body

STANDARDS

CE 2777

FEATURES



ball bearing



strength
22 kN



WLL

4 kN



88 g



unique
number



3
YEARS

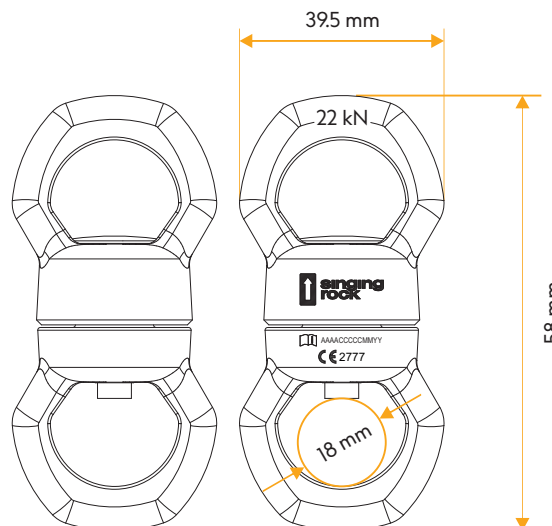
warranty

MATERIAL COMPOSITION



- 70 % light alloy
- 29 % stainless steel
- 1 % plastic

TECHNICAL DATA



AAAACCCCCMMYY

AAAA – unique serial number
CCCCC – product code
MMYY – month and year of production

